



SFX-UV1

AUTOMATIC TOUCHLESS REFILLABLE
SANITIZER DISPENSER +UV LIGHT



DISPENSERS • SANITIZER • EQUIPMENT

[HTTPS://SANITIZEFX.COM](https://sanitizefx.com)

SANITIZE FX

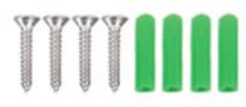


Weight:
0.89lbs
0.403kg

Nozzle Types:
Foam • Spray • Gel

Capacity: 34floz
Size: 6.22 * 4.57 * 11.26in

Capacity: 1000ml
Size: 15.8 * 11.6 * 28.6cm



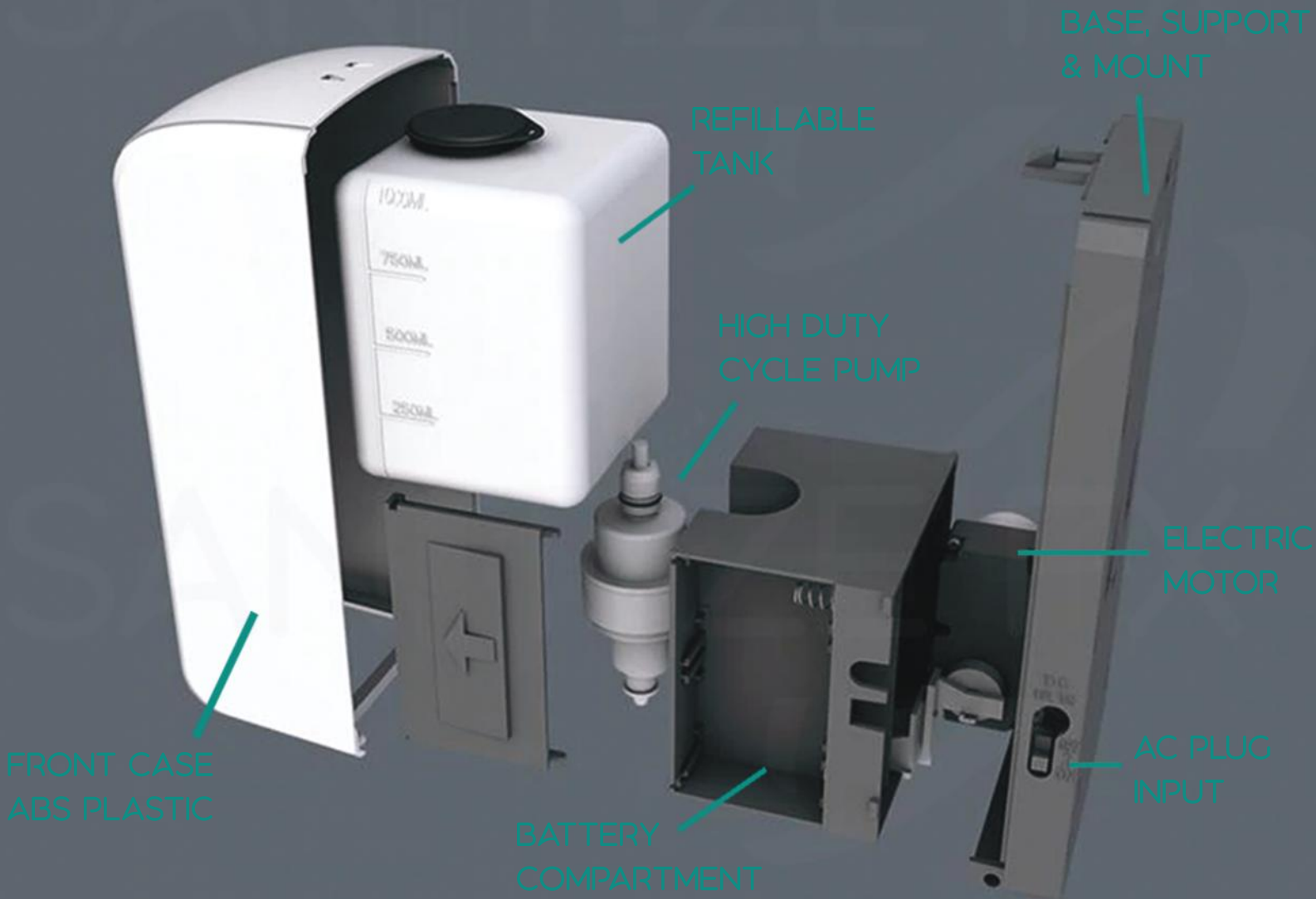
4 * Screws and stoppers

DISPENSERS • SANITIZER • EQUIPMENT

[HTTPS://SANITIZEFX.COM](https://sanitizefx.com)



TOUCHLESS DISPENSER COMPONENTS



DISPENSERS • SANITIZER • EQUIPMENT

[HTTPS://SANITIZEFX.COM](https://sanitizefx.com)



BATTERY OR WALL POWERED

ACCEPTS 4PCS "C" SIZE BATTERIES (NOT INCLUDED) OR
PLUGS INTO WALL POWER WITH ADD-ON WALL CHARGER



Plug in DC power supply

DISPENSERS • SANITIZER • EQUIPMENT

[HTTPS://SANITIZEFX.COM](https://sanitizefx.com)




EASY INSTALLATION

CAN BE MOUNTED WITH DOUBLED SIDED TAPE OR INCLUDED SCREWS. (DOUBLE SIDED TAPE NOT INCLUDED)

PERFECT FOR:

- BATHROOMS
- PLAYROOMS
- ENTRANCES
- HALLWAYS
- KITCHENS
- OFFICES
- EXITS



Distance from table 40-50cm
(15.7-19.7in)

A white, rectangular hand sanitizer dispenser is mounted on a wall of white square tiles. Below the dispenser, a vertical dashed line indicates the recommended mounting height. In the foreground, a white pedestal sink with a modern faucet and a white cylindrical container are visible on a white countertop.

DISPENSERS • SANITIZER • EQUIPMENT

[HTTPS://SANITIZEFX.COM](https://sanitizefx.com)